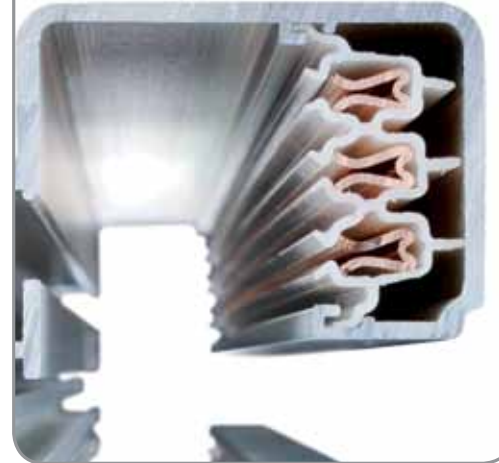




PRODUCTS

Dynamic Workplace Power™

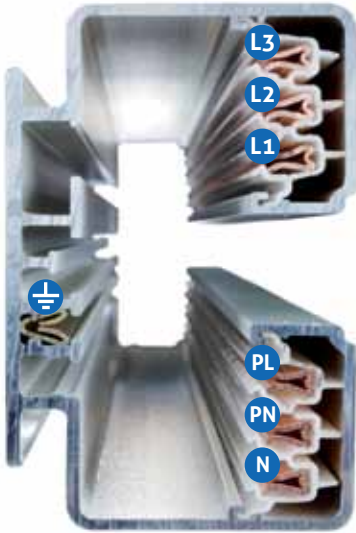
DWP



izi 45

UTTAGSSERIE - full frihet





DWP - the brilliant about this system is hard to see, it's hidden inside

The DWP system will save you a lot of time, from project planning to actual time to move in because of no drawing of cables are required at all! The outlets are installed, with an easy click, when time to move in.

The DWP power track contain one 3-phase group and one 1-phase group which means you are able to use both 1-phase and 3-phase outlets in the same track. If or when the outlets needs to be installed or moved, it can be done without cutting the power supply and avoid any disturbances. Pretty brilliant.

The DWP system is of course environmentally friendly and fully recyclable. KB System is certified according to ISO 9001.



iZi 45 - move around, expand or concentrate

iZi 45 is our latest range of outlets. As before, the outlets can be placed and moved with a simple twist, to a position were they are needed.

The outlets are based on 45 x 45 mm modules and can be offered according to your specifications; MCBs, RCBOs, CEE outlets, data/communication and bus-systems.



DWP 16

Power track system up to 16A with one 3-phase group and one single-phase group in the same track.
Here you will also find suitable outlets, mains connection boxes and angles.
Encapsulation 20.

DWP 16



DWP 63

Power track system up to 16A with one 3-phase group and one single-phase group in the same track.
Here you will also find suitable outlets, mains connection boxes and angles.
Encapsulation 20.

DWP 63



DWP 63 IP23

Power track system up to 63A with one 3-phase group and one single-phase group in the same track.
Here you will also find suitable outlets, mains connection boxes and angles.
Encapsulation 23.

DWP 63 IP23



DWP Combi

Cable duct for communication. Installed directly on the DWP power track.

DWP Combi



DWP Connect

Cable duct with more space. Installed over or under the DWP power track.
Can also be used as delivery duct.

DWP Connect



DWP Compact

Power track and cable duct together. Customer built.

DWP Compact



Accessories

Brackets, wall pass-through, ventilation louvres.

Accessories

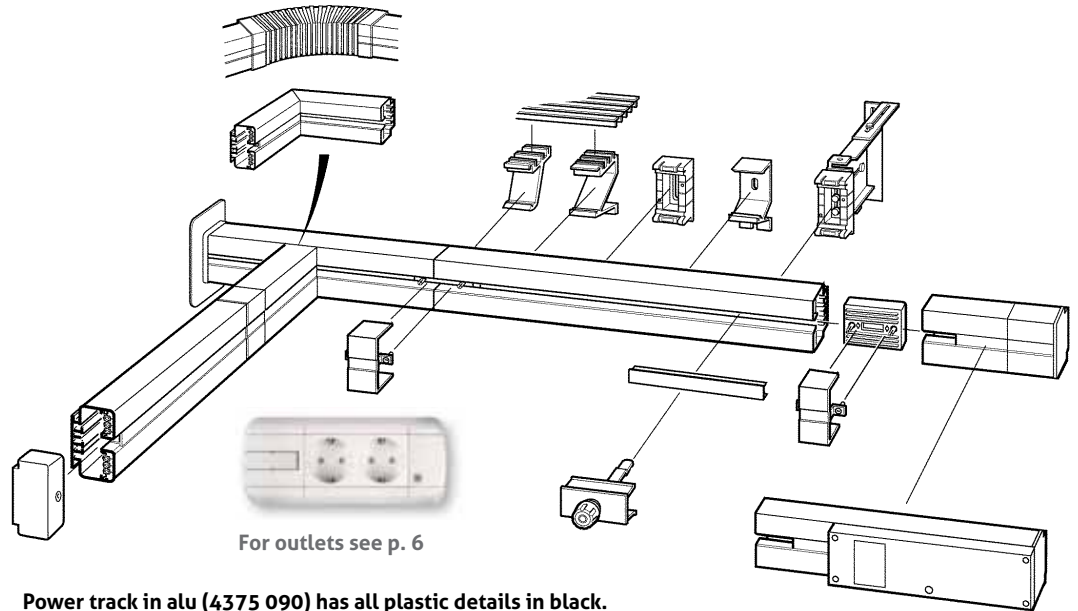


Technical data

Technical information about Dynamic Workplace Power (DWP).

Technical info

DWP 16



Power track in alu (4375 090) has all plastic details in black.

Power track



4375

Art no	Designation	Colour	L	H	W	Weight
4375 010	Power track 16A 400V	white	2395	81	54	7,02
4375 095	Power track 16A 400V	alu	2395	81	54	7,02

Incl. 1 connecting piece. Installed on brackets.

The power track contains a 3-phase main supply group 16 A, 400 V with neutral and earth, and a single-phase priority supply group 16 A, 230 V with neutral and earth. The main group and the priority group have a common earth.

The associated single-phase and 3-phase socket outlets can be positioned anywhere along the power track. Type-approved for open location in dry areas at normal room temperature. Encapsulation IP20. Approval also applies without cover strip. Must be installed by qualified electrician. The track may be installed at any height on the wall, vertically or horizontally, or in the ceiling. It can also be installed in a suspended ceiling or in a computer room floor if it is easily accessible and clearly marked. The power track may also be used as a light fitting track with socket outlets for single-phase and 3-phase. The power track is supplied as standard in aluminum, white-painted shade RAL 9010 or nature. Cut lengths quoted on request.

For data/tele see page 15-18

Mains connection box



4377



4498

Art no	Designation	Colour	L	H	W	Weight
4376 010	Mains connection box 16A LH	white	260	81	54	1,10
4376 095	Mains connection box 16A LH	alu	260	81	54	1,10
4377 010	Mains connection box 16A RH	white	260	81	54	1,10
4377 095	Mains connection box 16A RH	alu	260	81	54	1,10
4497 010	Mains connection box 16A LH RCD 30mA	white	465	81	54	1,86
4497 095	Mains connection box 16A LH RCD 30mA	alu	465	81	54	1,86
4498 010	Mains connection box 16A RH RCD 30mA	white	465	81	54	1,86
4498 095	Mains connection box 16A RH RCD 30mA	alu	465	81	54	1,86

Incl. 1 connecting piece, 1 end fitting, 2 locking clamps. Designed for direct connection in main group.

Area connecting stripes $5 \times 4 \text{ mm}^2 + 3 \times 4 \text{ mm}^2$ for both solid and twisted cable. The box is non-perforated with space for drilling in bottom $2 \times 20 \text{ mm}$, top- and downside $2 \times 22.5 \text{ mm}$, end plate $2 \times 22.5 \text{ mm}$.

L-joint



4493

Art no	Designation	Colour	L	H	W	Weight
4493 010	L-joint 16/63A outer earth	white	159	184	54	1,90
4493 095	L-joint 16/63A outer earth	alu	159	184	54	1,90
4493 010	L-joint 16/63A inner earth	white	159	184	54	1,90
4493 095	L-joint 16/63A inner earth	alu	159	184	54	1,90

Incl. 1 connecting piece and 2 locking clamps.

T-joint

Art no	Designation	Colour	L	H	W	Weight
9608 010	T-joint 16/63A up	white	156	181	54	1,56
9608 095	T-joint 16/63A up	alu	156	181	54	1,56
9643 010	T-joint 16/63A down	white	156	181	54	1,56
9643 095	T-joint 16/63A down	alu	156	181	54	1,56
9659 010	T-joint partition wall LH	white	670	81	280	3,34
9659 095	T-joint partition wall LH	alu	670	81	280	3,34
9660 010	T-joint partition wall RH	white	670	81	280	3,34
9660 095	T-joint partition wall RH	alu	670	81	280	3,34

9608



9659

Incl. 2 connecting pieces, 1 end fitting, 2 locking clamps.
Other types quoted on request.

Fixed angle

Art no	Designation	Colour	L	H	W	Weight
9667 010	Fixed angle 16/63A inner	white	280	81	280	1,74
9667 095	Fixed angle 16/63A inner	alu	280	81	280	1,74
9668 010	Fixed angle 16/63A outer	white	280	81	280	1,82
9668 095	Fixed angle 16/63A outer	alu	280	81	280	1,82



9667

Incl. 1 connecting piece and 2 locking clamps. Cutting: minimum size 145x145.
Other types quoted on request.

Flexible angle

Art no	Designation	Colour	L	H	W	Weight
9669 010	Flexible angle 16/63A single 160	white	460	81	54	1,62
9669 095	Flexible angle 16/63A single 160	alu/grey	460	81	54	1,62
9611 010	Flexible angle 16/63A single 260	white	560	81	54	1,76
9611 095	Flexible angle 16/63A single 260	alu/grey	560	81	54	1,76
9627 010	Flexible angle 16/63A single 400	white	700	81	54	2,06
9627 095	Flexible angle 16/63A single 400	alu/grey	700	81	54	2,06
4030 010	Flexible angle 16/63A double 2x260	white	1020	81	54	3,56
4030 095	Flexible angle 16/63A double 2x260	alu/grey	1020	81	54	3,56
4031 010	Flexible angle 16/63A double 2x400	white	1300	81	54	4,16
4031 095	Flexible angle 16/63A double 2x400	alu/grey	1300	81	54	4,16



9611

Incl. 1 connecting piece and 2 locking clamps for single. 3 locking clamps for double.
Switched and reversed flexible angles quoted on request.

Installation measurements see www.kb-system.com

Reference earth

Art no	Designation	Colour	L	H	W	Weight
4256 010	Reference earth	white	40	20	20	0,02
4526 050	Refence earth	black	40	20	20	0,02

4256



Jointing tool

Art no	Designation	Colour	L	H	W	Weight
9606 060	Jointing tool					0,10

Used for installation and removal of connecting piece.

9609



Accessories

Art no	Designation	Colour	L	H	W	Weight
9622 010	Cover strip for Power track IP23	white	1180	20	17	0,08
9622 050	Cover strip for Power track IP23	black	1180	20	17	0,08
2 strips for 1 Power track IP20. The power track IP20 is approved without cover strip						
9604 010	End fitting	white	30	86	57	0,04
9604 050	End fitting	black	30	86	57	0,04
4637 010	Connecting piece 16/63A	white	110	85	47	0,20
4637 050	Connecting piece 16/63A	black	110	85	47	0,20

End fitting and connecting piece are enclosed with mains connection box, power track and fixed/flexibel angle.



9622



4637

9634

DWP 16 Outlet **izi 45**



Create your own outlet

Now it is possible for you to get exactly the outlets that you need.

These outlets are adjusted to module 45x45 and you can get both power and communication in the same outlet.

You can get up to 6 sockets in one outlet. And installing time is the same as for one socket.

All outlets can be installed or removed without interrupting the power. Outlets Pri are for the single-phase group.

The outlets on this page belongs to power track DWP 16.

Socket outlet 2-ways



4701 010



4701 090

Art no	Designation	Colour	L	H	W	Weight
4701 010	2-ways 1-phase 230V	white	180	80	45	0,31
4701 090	2-ways 1-phase 230V	alu/black	180	80	45	0,31
4702 010	2-ways 1-phase 230V Pri	white	180	80	45	0,31
4702 090	2-ways 1-phase 230V Pri	alu/black	180	80	45	0,31

Socket outlet 4 & 6-ways



4703 010



4703 090

Art no	Designation	Colour	L	H	W	Weight
4703 010	4-ways 1-phase 230V	white	270	80	45	0,48
4703 090	4-ways 1-phase 230V	alu/black	270	80	45	0,48
4704 010	2-ways + 2-ways Pri 1-phase 230V	white	270	80	45	0,48
4704 090	2-ways + 2-ways Pri 1-phase 230V	alu/black	270	80	45	0,48
4708 010	4-ways + 2-ways Pri 1-phase 230V	white	360	80	45	0,60
4708 090	4-ways + 2-ways Pri 1-phase 230V	alu/black	360	80	45	0,60
4709 010	6-ways 1-phase 230V	white	360	80	45	0,60
4709 090	6-ways 1-phase 230V	alu/black	360	80	45	0,60

Socket outlet 2 & 4-ways with communication



4705 090
with contact plate for RJ45

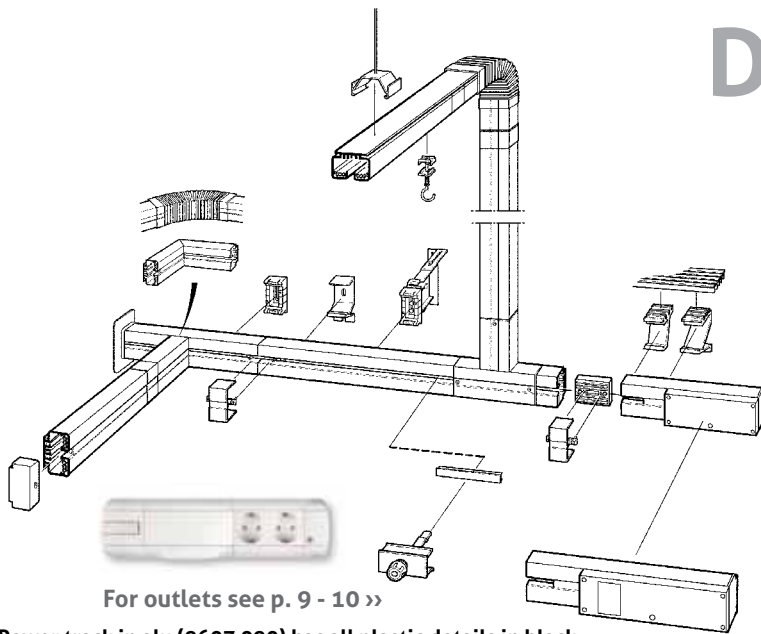


4706 010
with contact plate for RJ45

Art no	Designation	Colour	L	H	W	Weight
4705 010	2-ways 1-phase 230V with blind cover	white	270	80	45	0,44
4705 090	2-ways 1-phase 230V with blind cover	alu/black	270	80	45	0,44
4706 010	4-ways 1-phase 230V + with blind cover	white	270	80	45	0,60
4706 090	4-ways 1-phase 230V + with blind cover	alu/black	270	80	45	0,60
4707 010	2-ways + 2-ways Pri 1-phase 230V with blind cover	white	360	80	45	0,60
4707 090	2-ways + 2-ways Pri 1-phase 230V with blind cover	alu/black	360	80	45	0,60

Data connecting has as standard blind covers for RJ45. See page 16 for contact plates.

DWP 63 IP20



For outlets see p. 9 - 10 >>

Power track in alu (9607 090) has all plastic details in black.

Power track

Art no	Designation	Colour	L	H	W	Weight
9607 010	Power track 63A 400V	white	2395	81	54	7,02
9607 095	Power track 63A 400V	alu	2395	81	54	7,02

Incl. 1 connecting piece. Installed on brackets.

The current of the power track is decided by the choice of mains connecting box, 35A or 63A.

The power track contains a 3-phase main supply group 63 A, 400 V with neutral and earth, plus a single-phase priority supply group 63A, 230V with neutral and earth. The main group and priority group have a common earth. Different outlets, single-phase and 3-phase, maximum of 16A, can be placed anywhere along the power track. The power track is type-approved for open location in dry areas at normal room temperature. Encapsulation IP20. Approval also applies without cover strip. The track may be installed at any height on the wall, vertically or horizontally, or in the ceiling. It can also be installed in a suspended ceiling or in a non-ventilated floor in computer room floor, if it is easily accessible and clearly marked. The power track may also be used as a light fitting track with socket outlets for single-phase and 3-phase. The power track is supplied in nature or white-painted aluminum, shade RAL 9010. Cut lengths quoted on request.

For data/tele see page 15-18.



9607

Mains connection box

Art no	Designation	Colour	L	H	W	Weight
4145 010	Mains connection box 35 A 400 V LH	white	350	81	68	1,24
4145 095	Mains connection box 35 A 400 V LH	alu	350	81	68	1,24
4144 010	Mains connection box 35 A 400 V RH	white	350	81	68	1,24
4144 095	Mains connection box 35 A 400 V RH	alu	350	81	68	1,24
4327 010	Mains connection box 35 A 400 V LH 4-pol rcd 30mA	white	465	81	68	1,86
4327 095	Mains connection box 35 A 400 V LH 4-pol rcd 30mA	alu	465	81	68	1,86
4328 010	Mains connection box 35 A 400 V RH 4-pol rcd 30mA	white	465	81	68	1,86
4328 095	Mains connection box 35 A 400 V RH 4-pol rcd 30mA	alu	465	81	68	1,86
4259 010	Mains connection box 35 A 400 V center	white	610	81	68	2,30
4259 095	Mains connection box 35 A 400 V center	alu	610	81	68	2,30
4257 010	Mains connection box 63 A 400 V LH	white	465	81	68	1,62
4257 095	Mains connection box 63 A 400 V LH	alu	465	81	68	1,62
4258 010	Mains connection box 63 A 400 V RH	white	465	81	68	1,62
4258 095	Mains connection box 63 A 400 V RH	alu	465	81	68	1,62



4144



4259



4328

Incl. 1 connecting piece, 1 or 2 end fitting (centre) and 2 locking clamps.

Designed for direct connection in main group.

Mains connection box 35 A LH, RH and center connection

Area connecting stripes: 5 x 6 mm² + 3 x 6 mm² for twisted cable.

Area connecting stripes: 5 x 10 mm² + 3 x 10 mm² for solid cable.

Mains connection box 63 A

Area connecting stripes: 5 x 16 mm² + 3 x 16 mm² for twisted cable.

Area connecting stripes: 5 x 25 mm² + 3 x 25 mm² for solid cable.

The box has space for drilling: in bottom, up-downside and end plate 2 x 28,3 mm

Mains connection box with line circuit breaker and mains connection box 35 and 63A quoted on request.

L-joint



4493

Art no	Designation	Colour	L	H	W	Weight
4493 010	L-joint 16/63 A outer earth	white	180	180	54	1,90
4493 095	L-joint 16/63 A outer earth	alu	180	180	54	1,90
4494 010	L-joint 16/63 A inner earth	white	180	180	54	1,90
4494 095	L-joint 16/63 A inner earth	alu	180	180	54	1,90

Incl. 1 connecting pieces , 2 locking clamp.
Other types quoted on request.

T-joint



9608



9659

Art no	Designation	Colour	L	H	W	Weight
9608 010	T-joint 16/63A up	white	156	181	54	1,56
9608 095	T-joint 16/63A up	alu	156	181	54	1,56
9643 010	T-joint 16/63A down	white	156	181	54	1,56
9643 095	T-joint 16/35/63 A down	alu	156	181	54	1,56
9659 010	T-joint Partition wall 16/63A LH	white	670	81	280	3,34
9659 095	T-joint Partition wall 16/63A LH	alu	670	81	280	3,34
9660 010	T-joint Partition wall 16/63A RH	white	670	81	280	3,34
9660 095	T-joint Partition wall 16/63A RH	alu	670	81	280	3,34

Incl. 2 connecting pieces, 1 end fitting, 1 locking clamp.
Other types quoted on request.

Fixed angle



9667

Art no	Designation	Colour	L	H	W	Weight
9667 010	Fixed angle 16/63A inner	white	280	81	280	1,74
9667 095	Fixed angle 16/63A inner	alu	280	81	280	1,74
9668 010	Fixed angle 16/63A outer	white	280	81	280	1,82
9668 095	Fixed angle 16/63A outer	alu	280	81	280	1,82

Incl. 1 connecting piece. Cutting: Min. size 145x145 mm.
Other types quoted on request.

Flexibel angle



9627

Art no	Designation	Colour	L	H	W	Weight
9669 010	Flexible angle 16/63 A single 160	white	460	81	54	1,62
9669 095	Flexible angle 16/63 A single 160	alu/grey	460	81	54	1,62
9611 010	Flexible angle 16/63 A single 260	white	560	81	54	1,76
9611 095	Flexible angle 16/63 A single 260	alu/grey	560	81	54	1,76
9627 010	Flexible angle 16/63 A single 400	white	700	81	54	2,06
9627 095	Flexible angle 16/63 A single 400	alu/grey	700	81	54	2,06
4030 010	Flexible angle 16/63 A double 2x260	white	1020	81	54	3,56
4030 095	Flexible angle 16/63 A double 2x260	alu/grey	1020	81	54	3,56
4031 010	Flexible angle 16/63 A double 2x400	white	1300	81	54	4,16
4031 095	Flexible angle 16/63 A double 2x400	alu/grey	1300	81	54	4,16

Incl. 1 connecting piece, 2 locking clamps (single), 3 locking clamps (double).
Switched and reversed angles are quoted on request.

Installation measurements see www.kb-system.com

Reference earth



4256

Art no	Designation	Colour	L	H	W	Weight
4256 010	Reference earth	white	40	20	20	0,02
4256 050	Reference earth	black	40	20	20	0,02

Joining tool



9609

Art no	Designation	Colour	L	H	W	Weight
9609 060	Joining tool	red	-	-	-	010

Used for installation and removal of joints.

Accessories



9622



4367

9604

Art no	Designation	Colour	L	H	W	Weight
9622 010	Cover strip for power track IP20	white	1180	20	17	0,08
9622 050	Cover strip for power track IP20	black	1180	20	17	0,08

2 cover strips cover one power track IP20. Power track IP20 is approved without cover strip.
Other colours quoted on request.

9604 010	End fitting	white	30	86	57	0,04
9604 050	End fitting	black	30	86	57	0,04
4367 010	Connecting piece 16/63A	white	110	85	47	0,20
4367 050	Connecting piece 16/63A	black	110	85	47	0,20

End fitting and connecting piece enclosed with mains connection box, power track and fixed and flexible angle.



Create your own outlet

The outlets are built on module 45x45 mm and you can get exactly the combination you need with fuses, breakers, outlets for 230V and 400V, data and bussystem.

Every outlet has a built-in MCB, as standard 10kA and phase selector L1, L2 and L3. Outlets Pri is for the 1-phase group. Movable outlets are limited to a maximum of 16A.

Outlets with RCD are type RCBO. Outlets with other characteristics are quoted on request.

Outlets izi45 are suitable also for DWP16.

Outlets for Danish, French and Swiss markets are quoted on request.

Art no	Designation	Colour	L	H	W	Weight
4750 010	1-way 1-phase 230V 10A-C	white	295	84	45	0,50
4750 090	1-way 1-phase 230V 10A-C	alu/black	295	84	45	0,50
4751 010	1-way 1-phase 230V 10A-C Pri	white	295	84	45	0,50
4751 090	1-way 1-phase 230V 10A-C Pri	alu/black	295	84	45	0,50
4752 010	2-ways 1-phase 230V 10A-C	white	295	84	45	0,56
4752 090	2-ways 1-phase 230V 10A-C	alu/black	295	84	45	0,56
4753 010	2-ways 1-phase 230V 10A-C Pri	white	295	84	45	0,56
4753 090	2-ways 1-phase 230V 10A-C Pri	alu/black	295	84	45	0,56
4754 010	2-ways 1-phase 230V 16A-C	white	295	84	45	0,56
4754 090	2-ways 1-phase 230V 16A-C	alu/blac	295	84	45	0,56
4755 010	2-way s1-phase 230V 16A-C Pri	white	295	84	45	0,56
4755 090	2-ways 1-phase 230V 16A-C Pri	alu/black	295	84	45	0,56
4756 010	2-ways 1-phase 230V 10A-C RCBO	white	295	84	45	0,64
4756 090	2-ways 1-phase 230V 10A-C RCBO	alu/black	295	84	45	0,64
4757 010	2-ways 1-phase 230V 10A-C RCBO Pri	white	295	84	45	0,64
4757 090	2-ways 1-phase 230V 10A-C RCBO Pri	alu/black	295	84	45	0,64
4795 010	2-ways 1-phase 230V 16A-C RCBO Pri	white	295	84	45	0,64
4795 090	2-ways 1-phase 230V 16A-C RCBO Pri	alu/black	295	84	45	0,64

Socket outlet 1 & 2-ways



4752 010



4752 090

Art no	Designation	Colour	L	H	W	Weight
4758 010	4-way 1-phase 230V 10A-C	white	385	84	45	0,72
4758 090	4-way 1-phase 230V 10A-C	alu/black	385	84	45	0,72
4759 010	2-ways + 2-ways Pri 1-phase 230V 10A-C	white	385	84	45	0,80
4759 090	2-ways + 2-ways Pri 1-phase 230V 10A-C	alu/black	385	84	45	0,80
4760 010	4-ways + 2-ways Pri 1-phase 230V 10A-C	white	475	84	45	0,97
4760 090	4-ways + 2-ways Pri 1-phase 230V 10A-C	alu/black	475	84	45	0,97
4806 010	4-way 1-phase 230V 10A-C RCBO	white	385	84	45	0,80
4806 090	4-way 1-phase 230V 10A-C RCBO	alu/black	385	84	45	0,80
4790 010	6-ways 1-phase 230V 10A-C	white	475	84	45	0,97
4790 090	6-ways 1-phase 230V 10A-C	alu/black	475	84	45	0,97
4792 010	6-way 1-phase 230V 10A-C RCBO	white	475	84	45	0,97
4792 090	6-way 1-phase 230V 10A-C RCBO	alu/black	475	84	45	0,97

Socket outlet 4 & 6-ways



4785 010



4790 090

Socket outlet 2 & 4-ways with communication



4761 010 + contact plate for RJ45



4763 010 + contact plate for RJ45

Art no	Designation	Colour	L	H	W	Weight
4761 010	2-ways 1-ph 230V 10A-C + blind cover	white	385	84	45	0,68
4761 090	2-ways 1-ph 230V 10A-C + blind cover	alu/black	385	84	45	0,68
4762 010	2-ways + 2-ways Pri 1-ph 230V 10A-C + blind cover	white	475	84	45	0,92
4762 090	2-ways + 2-ways Pri 1-ph 230V 10A-C + blind cover	alu/black	475	84	45	0,92
4763 010	4-ways + 2-ways Pri 1-ph 230V 10A-C + blind cover	white	475	84	45	0,84
4763 090	4-ways + 2-ways Pri 1-ph 230V 10A-C + blind cover	alu/black	475	84	45	0,84

Outlet CEE 1 & 3-phase



4784 010



4786 010

Art no	Designation	Colour	L	H	W	Weight
4805 010	CEE 216-6 IP23 1-ph 230V 16A-C	white	300	82	100	0,64
4805 090	CEE 216-6 IP23 1-ph 230V 16A-C	alu/black	300	82	110	0,64
4784 010	CEE 216-6 IP23 1-ph 230V 16A-C	white	300	82	110	0,64
4784 090	CEE 216-6 IP23 1-ph 230V 16A-C	alu/black	300	82	110	0,64
4785 010	CEE 216-6 IP23 1-ph 230V 16A-C RCBO	white	300	82	110	0,72
4785 090	CEE 216-6 IP23 1-ph 230V 16A-C RCBO	alu/black	300	82	110	0,72
4786 010	CEE 416-6 IP23 3-ph 400V 16A-C	white	300	84	110	0,86
4786 090	CEE 416-6 IP23 3-ph 400V 16A-C	alu/black	300	84	110	0,86
4787 010	CEE 416-6 IP23 3-ph 400V 16A-C RCBO 6kA	white	300	84	110	0,98
4787 090	CEE 416-6 IP23 3-ph 400V 16A-C RCBO 6kA	alu/black	300	84	110	0,98

Cable outlet 1 & 3-phase



4772 010



4772 090



4778 090

Art no	Designation	Colour	L	H	W	Weight
4772 010	Cable outlet IP23 1-ph 230V 10A-C	white	300	97	48	0,52
4772 090	Cable outlet IP23 1-ph 230V 10A-C	alu/black	300	97	48	0,52
4773 010	Cable outlet IP23 1-ph 230V 10A-C Pri	white	300	97	48	0,52
4773 090	Cable outlet IP23 1-ph 230V 10A-C Pri	alu/black	300	97	48	0,52
4774 010	Cable outlet IP23 1-ph 230V 10A-C RCBO	white	300	97	48	0,64
4774 090	Cable outlet IP23 1-ph 230V 10A-C RCBO	alu/black	300	97	48	0,64
4775 010	Cable outlet IP23 1-ph 230V 16A-C	white	300	97	48	0,52
4775 090	Cable outlet IP23 1-ph 230V 16A-C	alu/black	300	97	48	0,52
4776 010	Cable outlet IP23 1-ph 230V 16A-C Pri	white	300	97	48	0,52
4776 090	Cable outlet IP23 1-ph 230V 16A-C Pri	alu/black	300	97	48	0,52
4777 010	Cable outlet IP23 1-ph 230V 16A-C RCBO	white	300	97	48	0,64
4777 090	Cable outlet IP23 1-ph 230V 16A-C RCBO	alu/black	300	97	48	0,64
4782 010	Cable outlet IP23 6A Funkbus Gira	white	300	97	45	0,52
4782 090	Cable outlet IP23 6A Funkbus Gira	alu/black	300	97	45	0,52
4809 010	Cable outlet IP23 1-ph 230V 10A-C RCBO Pri	white	300	97	48	0,64
4809 090	Cable outlet IP23 1-ph 230V 10A-C RCBO Pri	alu/black	300	97	48	0,64
4797 010	Cable outlet IP23 1-ph 230V 16A-C RCBO Pri	white	300	97	48	0,64
4797 090	Cable outlet IP23 1-ph 230V 16A-C RCBO Pri	alu/black	300	97	48	0,64
4778 010	Cable outlet 3-ph 400V 10A-C	white	300	102	60	0,76
4778 090	Cable outlet 3-ph 400V 10A-C	alu/black	300	102	60	0,76
4779 010	Cable outlet 3-ph 400V 10A-C RCBO 6kA	white	300	102	80	0,88
4779 090	Cable outlet 3-ph 400V 10A-C RCBO 6kA	alu/black	300	102	80	0,88
4780 010	Cable outlet 3-ph 400V 16A-C	white	300	102	50	0,76
4780 090	Cable outlet 3-ph 400V 16A-C	alu/black	300	102	50	0,76
4781 010	Cable outlet 3-ph 400V 16A-C RCBO 6kA	white	300	102	80	0,88
4781 090	Cable outlet 3-ph 400V 16A-C RCBO 6kA	alu/black	300	102	80	0,88

Outlet 3-phase fixed



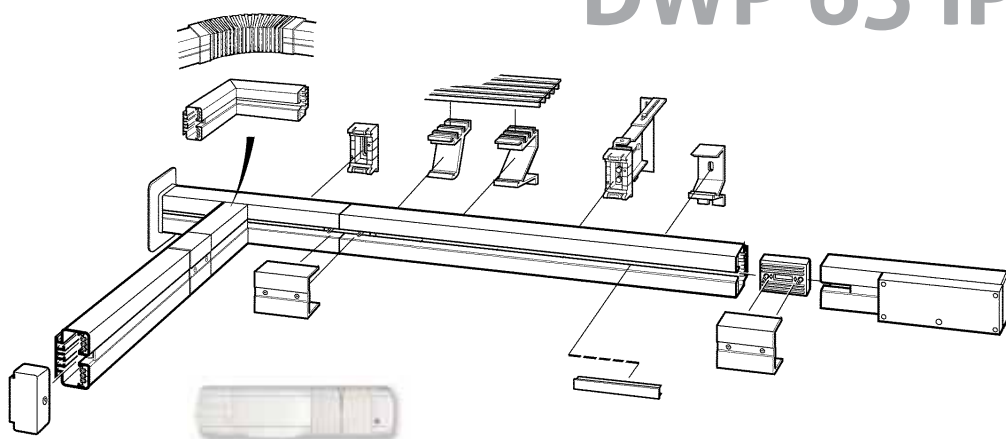
4432 010

Art no	Designation	Colour	L	H	W	Weight
4432 010	Fixed outlet 432-6 32A-C LH	white	460	81	180	2,10
4432 095	Fixed outlet 432-6 32A-C LH	alu/black	460	81	180	2,10
4433 010	Fixed outlet 432-6 32A-C centre	white	580	81	180	3,10
4433 095	Fixed outlet 432-6 32A-C centre	alu/black	580	81	180	3,10
4434 010	Fixed outlet 432-6 32A-C RH	white	460	81	180	2,10
4434 095	Fixed outlet 432-6 32A-C RH	alu/black	460	81	180	2,10

Incl. 1 connecting piece.

Fixed outlets must be connected into the system. Brackets are ordered separately, 2 / outlet.

DWP 63 IP23



For outlets see p 13 - 14 »

Power track in alu (9702 090) has all plastic details in black.

Art no	Designation	Colour	L	H	W	Weight
9702 010	Power track 35/63 A 400 V	white	2395	81	54	7,02
9702 095	Power track 35/63 A 400 V	alu	2395	81	54	7,02

Power track



9702

The current of the power track is decided by the choice of mains connecting box, 35A or 63A.
Incl. 1 connecting piece, 1 cover strip. Installed on brackets.

The power track contains a 3-phase mains supply group 63 A, 400 V with neutral and earth, plus a single-phase priority supply group 63 A, 230 V with neutral and earth. Main group and priority group have a common earth. Associated outlets, single-phase and 3-phase maximum of 16A, can be placed anywhere along the track. May be installed only by a qualified electrical installation engineer. Type-approved for open locations in humid areas at normal room temperature. Encapsulation IP23. Approval applies only with cover strips. The power track is supplied as standard in white-painted aluminium (RAL 9010) and aluminium nature.

Cut lengths quoted on request. For media communication see p. 15-18.

The power track is only approved for horizontal installation, with the earth bar facing down.

Mains connection box

Art no	Designation	Colour	L	H	W	Weight
4161 010	Mains connection box 35 A 400 V LH	white	350	81	68	1,37
4161 095	Mains connection box 35 A 400 V LH	alu	350	81	68	1,37
4160 010	Mains connection box 35 A 400 V RH	white	350	81	68	1,37
4160 095	Mains connection box 35 A 400 V RH	alu	350	81	68	2,30
4384 010	Mains connection box 35 A 400 V center	white	610	81	68	2,30
4384 095	Mains connection box 35 A 400 V center	alu	610	81	68	2,30
4262 010	Mains connection box 63 A 400 V LH	white	465	81	68	1,62
4262 095	Mains connection box 63 A 400 V LH	alu	465	81	68	1,62
4263 010	Mains connection box 63 A 400 V RH	white	465	81	68	1,62
4263 095	Mains connection box 63 A 400 V RH	alu	465	81	68	1,62



4160



4384

Incl 1 connecting piece, 1 end fitting and 2 locking clamps. Designed for direct connection in main group.

Mains connection box 35A:

Area connecting stripes $5 \times 6 \text{ mm}^2 + 3 \times 6 \text{ mm}^2$ for twisted cable.

Area connecting stripes $5 \times 10 \text{ mm}^2 + 3 \times 10 \text{ mm}^2$ for solid cable.

Mains connection box 63A:

Area connecting stripes $5 \times 16 \text{ mm}^2 + 3 \times 16 \text{ mm}^2$ for twisted cable.

Area connecting stripes $5 \times 25 \text{ mm}^2 + 3 \times 25 \text{ mm}^2$ for solid cable.

All boxes are non-perforated with space for drilling: in bottom, up-downside and endplate 28,3 mm.

T-joint partition wall



4157

Art no	Designation	Colour	L	H	W	Weight
4157 010	T-joint partition wall 63A LH	white	670	81	280	3,34
4157 095	T-joint partition wall 63A LH	alu	670	81	280	3,34
4158 010	T-joint partition wall 63A RH	white	670	81	280	3,34
4158 095	T-joint partition wall 63A RH	alu	670	81	280	3,34

Incl 2 connecting pieces, 1 end fitting and 2 locking clamps.

Fixed angle



4312

Art no	Designation	Colour	L	H	W	Weight
4312 010	Inner corner 63A	white	280	81	280	1,74
4312 095	Inner corner 63A	alu	280	81	280	1,74
4313 010	Outer corner 63A	white	280	81	280	1,82
4313 095	Outer corner 63A	alu	280	81	280	1,82

Incl 1 connecting piece and 2 locking clamps.

Cutting: min size 145 x 145 mm.

Other types quoted on request.

Flexible angle



4148

Art no	Designation	Colour	L	H	W	Weight
4148 010	Flexibel angle 63A single 160	white	460	81	54	1,62
4148 095	Flexibel angle 63A single 160	alu/grey	460	81	54	1,62
4149 010	Flexibel angle 63A single 260	white	560	81	54	1,76
4149 095	Flexibel angle 63A single 260	alu/grey	560	81	54	1,76
4150 010	Flexibel angle 63A single 400	white	700	81	54	2,06
4150 095	Flexibel angle 63A single 400	alu/grey	700	81	54	2,06

Incl 1 connecting pieces and 2 locking clamps

Installation measurements see www.kb-system.com

Joining tool



9609

Art no	Designation	Colour	L	H	W	Weight
9609 060	Joining tool	red	-	-	-	0,10

Used for installation and removal of joint

Accessories



4024

Art no	Designation	Colour	L	H	W	Weight
4024 010	Cover strip for Power track IP23	white	2295	20	17	0,10
4024 050	Cover strip for Power track IP23	black	2295	20	17	0,10

1 Cover strip for 1 Power track IP23. Enclosed with the Power track.

Other colours quoted on request.



9699



9701

9700 010	End fitting 63A LH	white	30	86	57	0,04
9700 050	End fitting 63A LH	black	30	86	57	0,04
9701 010	End fitting 63A RH	white	30	86	57	0,04
9701 050	End fitting 63A RH	black	30	86	57	0,0

9699 010	Connecting piece 63A IP23	white	110	85	47	0,20
9699 050	Connecting piece 63A IP23	black	110	85	47	0,20

End fitting and connecting pieces are enclosed with mains connection box, power track and fixed and flexible angle.

DWP 63 IP 23 Uttag **iZi 45**



Create your own outlet

The outlets are built on module 45x45 mm and you can get exactly the combination you need with fuses, breakers, outlets for 230V and 400V, data and bussystem.

Every outlet has a built-in MCB, as standard 10kA and phase selector L1, L2 and L3. Outlet Pri is for the 1-phase group. Movable outlets are limited to a maximum of 16A.

Outlets with RCD are type RCD BO. Outlets with other characteristics are quoted on request.

Outlets iZi45 are suitable also for DWP16.

Outlets for Danish, French and Swiss markets are quoted on request.

Socket outlet IP23 2-ways

Art no	Designation	Colour	L	H	W	Weight
4764 010	2-ways IP23 1-phase 230V 10A-C	white	295	84	48	0,56
4764 090	2-ways IP23 1-phase 230V 10A-C	alu/black	295	84	48	0,56
4765 010	2-ways IP23 1-phase 230V 10A-C Pri	white	295	84	48	0,56
4765 090	2-ways IP23 1-phase 230V 10A-C Pri	alu/black	295	84	48	0,56
4766 010	2-ways IP23 1-phase 230V 16A-C	white	295	84	48	0,56
4766 090	2-ways IP23 1-phase 230V 16A-C	alu/black	295	84	48	0,56
4767 010	2-ways IP23 1-phase 230V 16A-C Pri	white	295	84	48	0,56
4767 090	2-ways IP23 1-phase 230V 16A-C Pri	alu/black	295	84	48	0,56
4768 010	2-ways IP23 1-phase 230V 10A-C RCBO	white	295	84	48	0,64
4768 090	2-ways IP23 1-phase 230V 10A-C RCBO	alu/black	295	84	48	0,64
4769 010	2-ways IP23 1-phase 230V 10A-C RCBO Pri	white	295	84	48	0,64
4769 090	2-ways IP23 1-phase 230V 10A-C RCBO Pri	alu/black	295	84	48	0,64
4770 010	2-ways IP23 1-phase 230V 16A-C RCBO	white	295	84	48	0,64
4770 090	2-ways IP23 1-phase 230V 16A-C RCBO	alu/black	295	84	48	0,64
4771 010	2-ways IP23 1-phase 230V 16A-C RCBO Pri	white	295	84	48	0,64
4771 090	2-ways IP23 1-phase 230V 16A-C RCBO Pri	alu/black	295	84	48	0,64



4764 010



4764 090

CEE IP23 1 & 3-phase

Art no	Designation	Colour	L	H	W	Weight
4805 010	CEE 216-6 IP23 1-ph 230V 16A-C	white	300	82	110	0,64
4805 090	CEE 216-6 IP23 1-ph 230V 16A-C	alu/blac	300	82	110	0,64
4784 010	CEE 216-6 IP23 1-ph 230V 16A-C	white	300	82	110	0,64
4784 090	CEE 216-6 IP23 1-ph 230V 16A-C	alu/blac	300	82	110	0,64
4785 010	CEE 216-6 IP23 1-ph 230V 16A-C RCBO	white	300	82	110	0,72
4785 090	CEE 216-6 IP23 1-ph 230V 16A-C RCBO	alu/black	300	82	110	0,72
4786 010	CEE 416-6 IP23 3-ph 400V 16A-C	white	300	84	110	0,86
4786 090	CEE 416-6 IP23 3-ph 400V 16A-C	alu/black	300	84	110	0,86
4787 010	CEE 416-6 IP23 3-ph 400V 16A-C RCBO 6kA	white	300	84	110	0,98
4787 090	CEE 416-6 IP23 3-ph 400V 16A-C RCBO 6kA	alu/black	300	84	110	0,98



4784 010



4784 090



4786 010

Cable outlet IP23 1 & 3-phase



4772 010



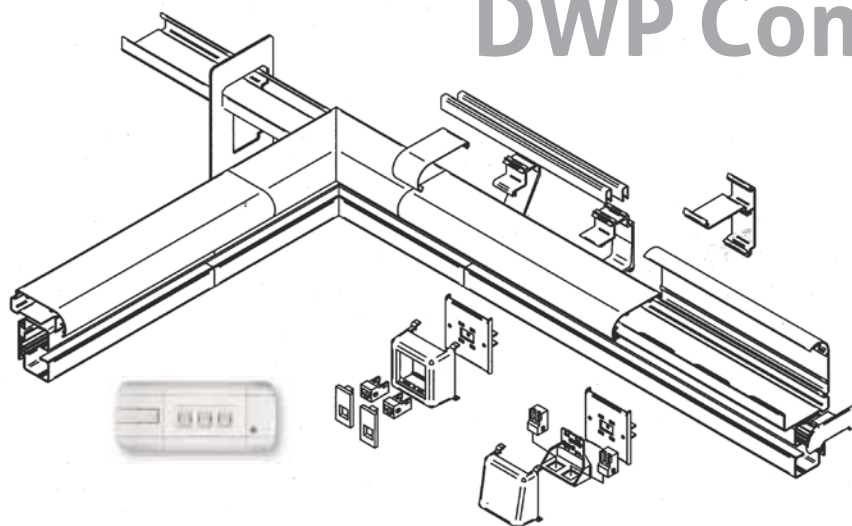
4772 090



4778 090

Art no	Designation	Colour	L	H	W	Weight
4772 010	Cable outlet IP23 1-phase 230V 10A-C	white	300	97	48	0,52
4772 090	Cable outlet IP23 1-phase 230V 10A-C	alu/black	300	97	48	0,52
4773 010	Cable outlet IP23 1-phase 230V 10A-C Pri	white	300	97	48	0,52
4773 090	Cable outlet IP23 1-phase 230V 10A-C Pri	alu/black	300	97	48	0,52
4774 010	Cable outlet IP23 1-phase 230V 10A-C RCD BO	white	300	97	48	0,64
4774 090	Cable outlet IP23 1-phase 230V 10A-C RCD BO	alu/black	300	97	48	0,64
4775 010	Cable outlet IP23 1-phase 230V 16A-C	white	300	97	48	0,52
4775 090	Cable outlet IP23 1-phase 230V 16A-C	alu/black	300	97	48	0,52
4776 010	Cable outlet IP23 1-phase 230V 16A-C Pri	white	300	97	48	0,52
4776 090	Cable outlet IP23 1-phase 230V 16A-C Pri	alu/black	300	97	48	0,52
4777 010	Cable outlet IP23 1-phase 230V 16A-C RCD BO	white	300	97	48	0,64
4777 090	Cable outlet IP23 1-phase 230V 16A-C RCD BO	alu/black	300	97	48	0,64
4809 010	Cable outlet IP23 1-phase 230V 10A-C RCD BO Pri	white	300	97	48	0,64
4809 090	Cable outlet IP23 1-phase 230V 10A-C RCD BO Pri	alu/black	300	97	48	0,64
4797 010	Cable outlet IP23 1-phase 230V 16A-C RCD BO Pri	white	300	97	48	0,64
4797 090	Cable outlet IP23 1-phase 230V 16A-C RCD BO Pri	alu/black	300	97	48	0,64
4778 010	Cable outlet IP23 3-phase 400V 10A-C	white	300	102	60	0,76
4778 090	Cable outlet IP23 3-phase 400V 10A-C	alu/black	300	102	60	0,76
4779 010	Cable outlet IP23 3-phase 400V 10A-C RCD BO 6kA	white	300	102	80	0,88
4779 090	Cable outlet IP23 3-phase 400V 10A-C RCD BO 6kA	alu/black	300	102	80	0,88
4780 010	Cable outlet IP23 3-phase 400V 16A-C	white	300	102	60	0,76
4780 090	Cable outlet IP23 3-phase 400V 16A-C	alu/black	300	102	60	0,76
4781 010	Cable outlet IP23 3-phase 400V 16A-C RCD BO 6kA	white	300	102	80	0,88
4781 090	Cable outlet IP23 3-phase 400V 16A-C RCD BO 6kA	alu/black	300	102	80	0,88

DWP Combi



Cable duct with cover opened from the upside. Installed directly on the power track.
The duct is fixed with attachments directly on the power track.
Socket outlets are installed on the power track.

Cable duct Combi

Art no	Designation	Colour	L	H	W	Weight
4620 010	Cable duct Combi	white	2400	34	85	1,82
4620 090	Cable duct Combi	alu	2400	34	85	1,82

Incl cover, 3 attachments, 1 cable duct and 1 cover joint.
Supplements: End fitting left-hand or right-hand.

The media duct has 10 prepared holes (70x22mm) for dropping cable to the outlets, which are installed on the power track.

Supplied as standard in white-painted aluminum (RAL 9010) and aluminium.
The duct can be cut.



4620

T-joint partition wall

Art no	Designation	Colour	L	H	W	Weight
4228 010	T-joint partition wall Combi	white	215	34	200	0,20
4228 090	T-joint partition wall Combi	alu na	215	34	200	0,20

Incl. 3 attachments, cable duct, 1 cover joint and fitting piece.



4228

Fixed angle

Art no	Designation	Colour	L	H	W	Weight
4177 010	Fixed angle inner Combi	white	200	34	200	0,20
4177 090	Fixed angle inner Combi	alu na	200	34	200	0,20
4178 010	Fixed angle outer Combi	white	200	34	200	0,20
4178 090	Fixed angle outer Combi	alu na	200	34	200	0,20

Incl. 1 cover joint and 3 attachments.



4177

End fitting

Art no	Designation	Colour	L	H	W	Weight
4180 010	End fitting LH Combi	white	90	34	-	0,06
4180 050	End fitting LH Combi	black	90	34	-	0,06
4181 010	End fitting RH Combi	white	90	34	-	0,06
4181 050	End fitting RH Combi	black	90	34	-	0,06



4181

Outlet data



4837 010
with contact plate for RJ45



4837090
with contact plate for RJ45

Art no	Designation	Colour	L	H	W	Weight
4837 010	Cover iZi 45 with blind cover for RJ45	white	180	80	45	0,25
4837 090	Cover iZi 45 with blind cover for RJ45	alu/black	180	80	45	0,25
4831 010	Contact plate 3xRJ45 Keystone	white				
4831 050	Contact plate 3xRJ45 Keystone	black				
4832 010	Contact plate 3xRJ45 Systimax	white				
4832 050	Contact plate 3xRJ45 Systimax	black				
4833 010	Contact plate 3xRJ45 Lexcom	white				
4833 050	Contact plate 3xRJ45 Lexcom	black				
4834 010	Contact plate 2xRJ45 Keystone	white				
4834 050	Contact plate 2xRJ45 Keystone	black				
4835 010	Contact plate 2xRJ45 Systimax	white				
4835 050	Contact plate 2xRJ45 Systimax	black				
4836 010	Contact plate 2xRJ45 Lexcom	white				
4836 050	Contact plate 2xRJ45 Lexcom	black				
740 44573 10	Blind cover	white				
740 44573 50	Blind cover					

Outlets data are as standard with blind cover for 2 or 3xRJ45. Other covers on request.

Connecting cover downwards



4186

Art no	Designation	Colour	L	H	W	Weight
4186 010	Connecting cover downwards	white	75	81	43	0,1
4186 050	Connecting cover downwards	black	75	81	43	0,1
Must be completed with contact plates						
9677 010	Contact plate non-perforated					
4283 010	Contact plate 1x8 cat6 AMP screened					
4284 010	Contact plate 2x8 cat6 AMP screened					
9691 010	Contact plate 1x8 cat6 Keystone					
9690 010	Contact plate 2x8 cat6 Keystone					
4285 010	Contact plate 1 x Systimax					
4286 010	Contact plate 2 x Systimax					
4609 010	Contact plate 1 x Lexcom					
4610 010	Contact plate 2 x Lexcom					

Must be completed with contact plates. For other plates see Key at www.kb-system.com

Connecting cover



4189

Art no	Designation	Colour	L	H	W	Weight
4638 010	Connecting cover module 45x45	white	75	81	45	0,1
4638 050	Connecting cover module 45x45	black	75	81	45	0,1
Must be completed with insert modules from other supplier.						
4642 010	Ariel socket serial 14dB Combi	white	75	81	43	0,1
4642 050	Ariel socket serial 14dB Combi	black	75	81	43	0,1
4346 010	Ariel socket treminal 10 dB Combi	white	75	81	43	0,1
4346 050	Ariel socket treminal 10 dB Combi	black	75	81	43	0,1

Incl. contact. Other types quoted on request

Accessories



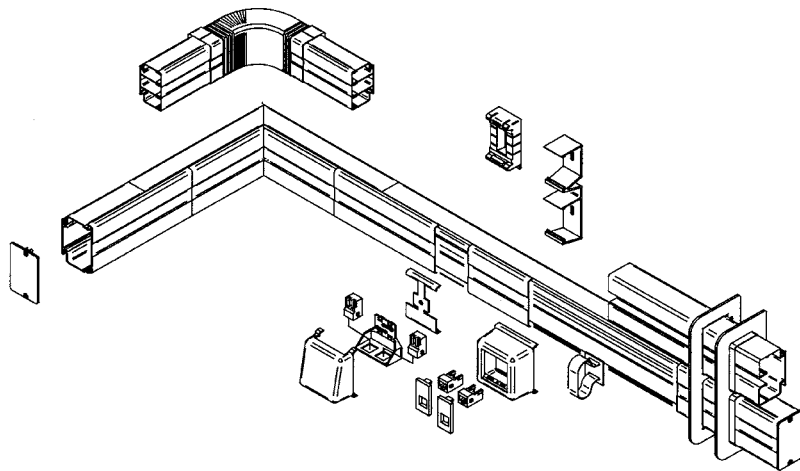
4234



740 44325

Art no	Designation	Colour	L	H	W	Weight
4234 010	Flexible angle 160 Combi	white	200	34	200	0,20
4234 020	Flexible angle 160 Combi	grey	200	34	200	0,20
Incl. 2 attachments. Fit with Flexibel angle 160 DWP Combi						
4174 010	Cover	white	2400	34	85	0,80
4174 090	Cover	alu	2400	34	85	0,80
4618 090	Attachment	alu	60	120	90	0,02
4238 010	Cover joint	white	45	35	81	0,01
4238 090	Cover joint	alu	45	35	81	0,01
740 44325	Cable duct (inner)	white	2400			0,42

DWP Connect



Cable duct with lots of space. To be used together with power track DWP 16 or 63 when preferred to separate media cables and outlets from the power track.
Can also be used as delivery duct.

Art no	Designation	Colour	L	H	W	Weight
4619 010	Cable duct Connect 1-compartment	white	2400	81	54	4,22
4619 090	Cable duct Connect 1-compartment	alu	2400	81	54	4,22
4628 010	Cable duct Connect modulecut cover	white	2400	81	54	4,22
4628 090	Cable duct Connect modulecut cover	alu	2400	81	54	4,22

Incl. cover, 1 support bracket and 4 velcro closing.
Must be completed with end fittings, left or right.

Media duct for low data and tele cables.

Installed on brackets.

The cable duct is supplied as standard in white-painted aluminum RAL 9010 or aluminium.
The duct can be cut in available length.

Cable duct Connect



4619

Art no	Designation	Colour	L	H	W	Weight
4113 010	L-joint Connect	white	280	280	54	0,84
4113 090	L-joint Connect	alu na	280	280	54	0,84

Incl. 1 connecting piece and 2 locking clamps.

L-joint



4113

Art no	Designation	Colour	L	H	W	Weight
4116 010	Fixed angle inner Connect	white	280	81	280	0,88
4116 090	Fixed angle inner Connect	alu	280	81	280	0,88
4117 010	Fixed angle outer Connect	white	280	81	280	0,88
4117 090	Fixed angle outer Connect	alu	280	81	280	0,88

Incl. 1 joint support and 2 locking clamps.

Fixed angle



4116

Art no	Designation	Colour	L	H	W	Weight
4621 010	End fitting Connect	white	30	86	57	0,04
4621 050	End fitting Connect	black	30	86	57	0,04

Must be ordered one for each end.

End fitting



4621

Connecting cover downwards



4622

Art no	Designation	Colour	L	H	W	Weight
4622 010	Connecting cover downwards	white	75	81	45	0,03
4622 050	Connecting cover downwards	black	75	81	45	0,03

Must be completed with contact plates.

9677 010	Contact plate non-perforated
4283 010	Contact plate 1x8 cat 6 AMP screened
4284 010	Contact plate 2x8 cat 6 AMP screened
9691 010	Contact plate 1x8 cat 6 Keystone
9690 010	Contact plate 2x8 cat 6 Keystone
4285 010	Contact plate 1xSystemax
4286 010	Contact plate 2xSystemax
4609 010	Contact plate 1xLexcom
4610 010	Contact plat 2xLexcom

For other contact plates see www.kb-system.com

Connecting cover



4159

Art no	Designation	Colour	L	H	W	Weight
4639 010	Connecting cover module 45x45	white	75	81	38	0,03
4639 050	Connecting cover module 45x45	black	75	81	38	0,03

Must be completed with insert-modules from other supplier.

4640 010	Ariel socket serial 14dB Connect	white	75	81	35	0,06
4640 050	Ariel socket serial 14dB Connect	black	75	81	35	0,06
4641 010	Ariel socket terminal 10dB Connect	white	75	81	35	0,06
4641 050	Ariel socket terminal 10dB Connect	black	75	81	35	0,06

Incl. contacts . Other types quoted on request.

Flexibel angle

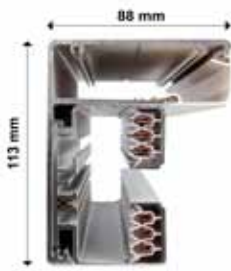


4625

Art no	Designation	Colour	L	H	W	Weight
4625 010	Flexible angle 160 Connect	white	460	81	54	0,22
4625 020	Flexible angle 160 Connect	alu/grey	460	81	54	0,22
4626 010	Flexible angle 260 Connect	white	560	81	54	0,24
4626 020	Flexible angle 260 Connect	alu/grey	560	81	54	0,24
4627 010	Flexible angle 400 Connect	white	700	81	54	0,30
4627 020	Flexible angle 400 Connect	alu/grey	700	81	54	0,30

Incl. 1 connecting piece and 2 locking clamps.

DWP Compact



DWP Compact - where space is limited i.e. under cupboard or shelves - where there is need to open the cable duct from the front.

DWP Compact is prefabricated with power track DWP 16 or DWP 63, mains connecting box, cover and end pieces.

Available in white (RAL 9010) or aluminium.

Max length: 6000mm

For outlets: See Outlets for chosen Power track and DWP Combi.

Delivered complete with power track, mains connecting box and end fittings.



Accessories

Wall pass-through



9615 010



4629 010

Art no	Designation	Colour	L	H	W	Weight
9650 020	Soundproofing, power track	-	300	-	-	0,04
9651 020	Soundproofing, Connect	-	400	-	-	0,06
4207 020	Sound proofing, Combi	-	300	-	-	0,04
9616 010	Flanged wall collar, power track	white	99	133	14	0,02
9615 010	Flanged wall collar, power track with Connect	white	99	220	14	0,04
4026 010	Flanged wall collar, 1 flexible angle	white	100	134	3	0,02
4027 010	Flanged wall collar, 2 flexible angles	white	100	226	3	0,04
4629 010	Flanged wall collar, power track with Combi	white	112	193	2	0,02

Airsoundproofing 59 - 62 dB, according to EN 20140-10.

Brackets



9606



4168

for DWP Power track with Combi and Connect

Art no	Designation	Colour	L	H	W	Weight
9606 010	Bracket 19 mm, plastic without vent.louvres	white	45	85	19	0,04
9606 050	Bracket 19 mm, plastic without vent.louvres	white	45	5	19	0,04
9614 090	Spacer plate, bracket 19mm, 2mm					
9634 010	Locking clamp for bracket 19 mm	white	25	7,5	13,7	0,01

Bracket 19 mm is used for wall and ceiling installation. Distance between the brackets max. 1200 mm or at least 2 per track/duct. For wall installation the bracket is mounted with the lug facing down.

In case of double installation the brackets are mounted with the lugs facing each other.

Spacers are available.

Track/duct are clipped into position. At ends and by vertical installation locking clamps must be used to fix the track/duct. Locking clamps are pushed into the U-slot in the track.

To unclip the track/duct use a screwdriver.

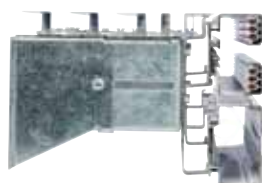
Art no	Designation	Colour	L	H	W	Weight
4168 010	Wall bracket single 35 mm	white	35	90	35	0,44
9665 090	Spacer plate, wall bracket 2 mm		35	85	2	0,01
9666 090	Spacer plate, wall bracket 2 mm		35	85	3	0,01

Bracket, 35 mm is used for wall installations. Distance between the brackets max. 1200 mm or at least 2 per track/duct. In case of double installation use double wall brackets. Spacers are available.

Track/duct are clipped into position.

Installation measurements see www.kb-system.com

for DWP Power track with Connect



4363

Art no	Designation	Colour	L	H	W	Weight
4533 090	Wall bracket 46 mm 1-louvre F-shape,	alu	35	105	46	0,08
4542 090	Wall bracket 71 mm 2-louvre U/F-shape	"	35	105	71	0,10
4336 090	Wall bracket 96 mm 3-louvre U/F-shape	"	35	105	96	0,14
4050 090	Downward extension bracket 1-3 louvres	"	35	210	121	0,10
4115 090	Spacer plate, downward extension bracket 2 mm		35	30	2	0,01
4122 090	Spacer plate, downward extension bracket 3 mm		35	30	3	0,01
4363 090	Adjustable bracket 135-200 mm Connect		70	165	-	0,58
4311 090	Adjustable bracket 200-300 mm Connect		70	165	-	0,77

Wall brackets with ventilation louvre U/F-shape are used as upper bracket with extension from the wall. Dimensions are 46, 71 or 96 mm.

The distance between the brackets must be max. 1200 mm or at least 2 per track/duct.

In case of double installation the downward extension bracket is used as a lower bracket. Spacers, 2 mm or 3 mm, are available. Wall- and downward extension brackets are self-locking.

Adjustable wall bracket only for horizontal installation.

Brackets

for DWP Power track with Combi

Art no	Designation	Colour	L	H	W	Weight
4182 090	Wall bracket 54 mm 2-louvre U / F-shape		35	95	54	0,07
4184 090	Wall bracket 94 mm 4-louvre U / F-shape		35	95	94	0,12
4361 010	Adjustable bracket 125-190 mm Combi	white	75	135	-	0,55
4361 092	Adjustable bracket 125-190 mm Combi	grey	75	135	-	0,55
4309 010	Adjustable bracket 190-290 mm Combi	white	75	135	-	0,73
4309 092	Adjustable bracket 190-290 mm Combi	grey	75	135	-	0,73

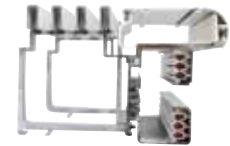
Wall bracket with ventilation louvre U/F-shape is used with extension from wall when installing the combination power track/DWP Combi. Dimensions are 54 or 94 mm. The distance between brackets max. 1200 mm or at least 2/track.

Spacers, 2 or 3 mm, are available. Wallbrackets are self-locking.

Adjustable wall bracket only for horizontal installation.



4182



4184

Ventilation louvres

Ventilation louvres with accessories

Art no	Designation	Colour	L	H	W	Weight
4227 010	Ventilation louvre F-shape	white	2400	20	30	0,55
4227 090	Ventilation louvre F-shape	alu	2400	20	30	0,55
4185 010	Ventilation louvre U-shape	white	2400	20	10	0,38
4185 090	Ventilation louvre U-shape	alu	2400	20	10	0,38
4565 090	Joint vent.louvre 1-louvre F-shape for power track / Connect		35	65	43	0,04
4602 090	Joint vent.louvre 2-louvre U/F-shape for power track / Connect		35	65	68	0,06
4337 090	Joint vent.louvre 3-louvre U/F-shape for power track / Connect		35	65	93	0,07
4218 090	Joint vent.louvre 2-galler U/F-shape for Combi		35	95	50	0,05
4225 090	Joint vent.louvre 4-galler U/F-shape for Combi		35	95	90	0,09
4335 090	Louvre support for adjustable bracket 2 x 165 mm		35	8	165	0,07



4227



4185

Ventilation louvre F-shape and U-shape can be combined as optional. 1 F-shape can replace 2 U-shape.

Dimensions of the bracket are 125 - 190 mm or 190 - 290 mm when installing the power track with or without cable duct DWP Combi.

Dimensions are 135-200 mm or 200-300 mm when installing power track with Connect

Are clipped into position.

Louvre support for adjustable bracket must be ordered separately.

Installation measurements see www.kb-system.com

Delivery duct

Delivery duct with cover

Art no	Designation	Colour	L	H	W	Weight
4675 010	Delivery duct 3-compartment	white	2000	81	54	4,2



4675

for ceiling installation



4399



9652

Art no	Designation	Colour	L	H	W	Weight
4399 010	Joint support M10 120mm	white	120	27	59	0,05
4399 090	Joint support M10 120mm	alu	120	27	59	0,05
9655 010	Bracket for ceiling M10 60mm	white	60	27	59	0,10
9655 090	Bracket for ceiling M10 60mm	alu	60	27	59	0,10

Joint support for installation in ceiling is used with screw, pendulum or wire and must be centred over each joint of the power track. Bracket for ceiling must be used in every end of a power track and where an additional fixing point is necessary.

Max. length between brackets is 1200 mm.

The brackets are clipped on the power tracks/cable ducts and locked with the locking screw.

Max weight between two fixing points are 15 kg.

Art no 4399 010 and 9655 010 have press nut M10 for threaded bar and are used by pendulum installation and by installation together with cable basket.

Art no	Designation	Colour	L	H	W	Weight
9652 010	Hook attachment Approved for 15 kg load/unit	white				0,02

Installation with DWP power track integrated in the ceiling



General information	DWP 16	DWP 63
Number of conductor incl case	7	7
Type of current.....	AC	AC
Rated current..... A	16	63
Isolation voltage..... V	400V	400V
Operating voltage..... V	400/230V	400/230V
Frequency..... Hz	50	50
Phase- and neutral conductor, IE 228 (DC)		
Conductor area (Cu)mm ²	15,2	15,2
Resistance (environmental temp 20° C)..... m Ω/m	1,13	1,13
Resistance (environmental temp 35° C)..... m Ω/m	1,29	1,29
Protecting conductor: PE, IE 228 (DC)		
Area (ekvivalent Cu)mm ²	24,5	24,5
Resistans (environmental temp 20° C)..... m Ω/m	0,67	0,67
Resistance phase-neutral, phase-phase, SS-EN 60 439-2 (AC)		
Resistance (environmental temp 20° C)..... m Ω/m	2,60	2,60
Reactance (environmental temp 20° C)..... m Ω/m	0,46	0,46
Impedance (environmental temp 20° C)..... m Ω/m	2,64	
Resistance phase-PE, SS-EN 60 439-2 (AC)		
Impedance (environmental temp 20° C)..... m Ω/m	2,6	2,6
Short circuiting resistance, SS-EN 60 439-2 (AC)		
Rated shortcircuit current (3-phase) peak..... kA	15,0	15,0
Rated shortcircuit current eff 0.1 sek..... kA	8,3	8,3
Short time current resistance..... A ² s	6,89x10 ⁶	6,89x10 ⁶
Protecting type SS-IEC 529		
Encapsulation	20	20 - 23
Voltage drop (evenly distributed load)		
Vid cos= 0.8..... V/100m/A	0,102	0,102
0.9..... V/100m/A	0,110	0,110
1.0..... V/100m/A	0,114	0,114

By concentration of load in the further end of the power track the voltage drop will be doubled.
 Release conditons. See SS 424 14 02, 05 and 06.
 Short circuit current. See SS 424 14 07.
 Tested according to EN 60439-2, EN 60898, PA 828

Technical information

Dynamic Workplace Power - DWP - flexibel and dynamic power supply without cables.

- 1-phase and 3-phase in the same power track
- Move the sockets without switching off the power.
- Halogen free material.
- Reusable and recyclable.
- Installed on walls, in the floor, in the ceiling or on the equipment.

Material

DWP is produced in aluminium, natur eloxated or white (RAL 9010) and plastics free from halogen. The different materials can easily be separated for recycling.

Outlets

DWP has movable outlets with a built-in MCB. The outlets can be installed or moved without switching off the power. You can get outlets for 230V or 400V as 2-, 4- or 6-ways, for cable connecting or CEE. Can be completed with RCBO, OVR, funkbus-system and data/tele.

DWP 16

Power track up to 16A.
The power track contains a 3-phase and a 1-phase group.
Encapsulation IP20.

DWP 63

Power track up to 63A.
The power track contains a 3-phase and a 1-phase group.
Encapsulation IP 20 och 23.

DWP Combi

Media duct for data and tele.
Installed directly on the power track.

DWP Connect

More space than in DWP Combi.
Installed over or under the power track.

DWP Compact

A combination of power track and media duct.
Prefabricated after customer demands.

Read more on www.kb-system.com



Dynamic Workplace Power™

KB System AB • SE-286 85 Örkelljunga • Tel: +46 (0)435 - 56 200 • Fax: +46 (0)435 - 56 135 • info@kb-system.com
www.kb-system.com